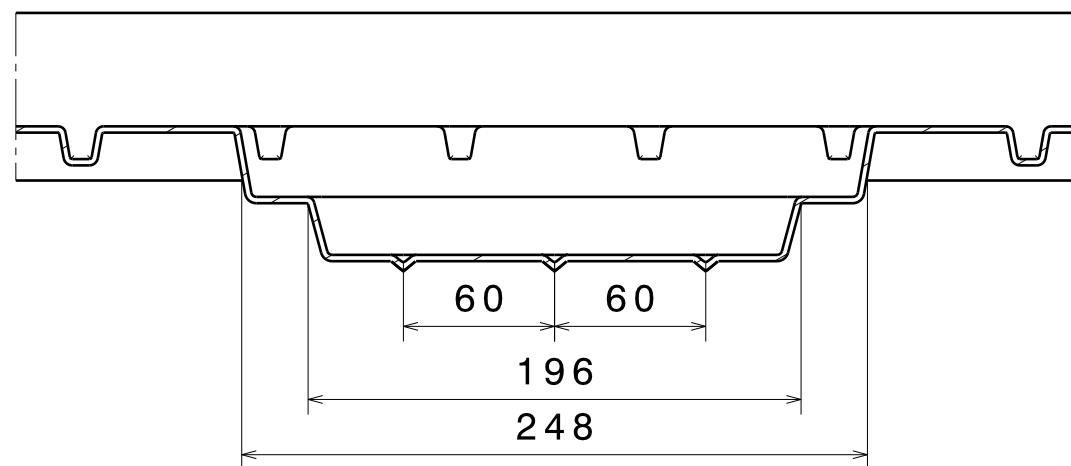
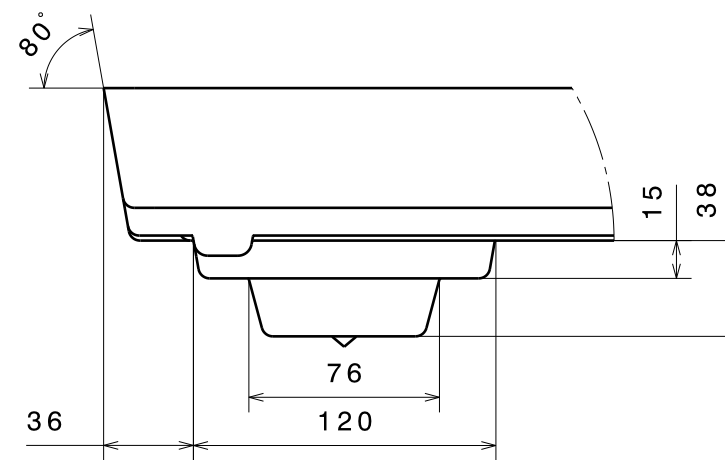


Detail cutter



Cross section of sump



Position of sump

Width from 1200 to 1720 mm. \pm 5 mm.
 Length from 2500 to 6200 mm. \pm 10 mm.

TOTAL 38.480 sizes!

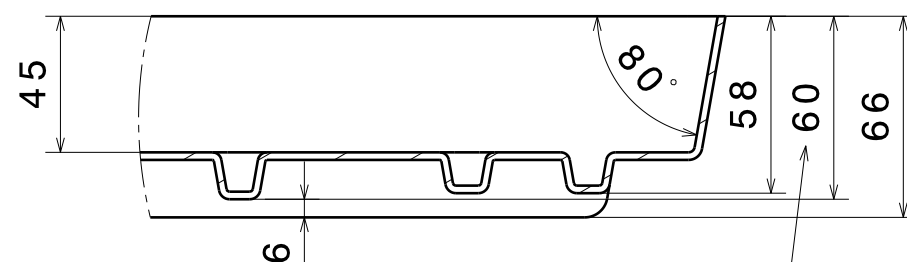
TYPE 2

Drawn by: JS

Date: 16.06.04



Industrivej 16-18
 DK-5750 Ringe - Denmark
 Tel: +45 62621216 Fax +45 62623611
 Web: www.staal-plast.dk
 E-mail: mail@staal-plast.dk



Total height from 42 to 66 mm. (60 mm. is standard)